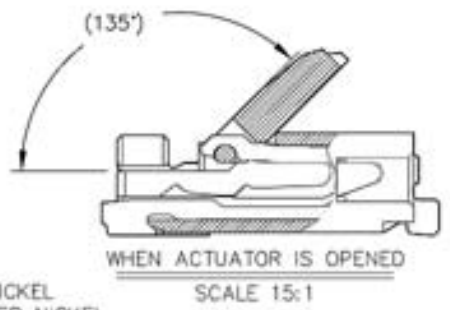
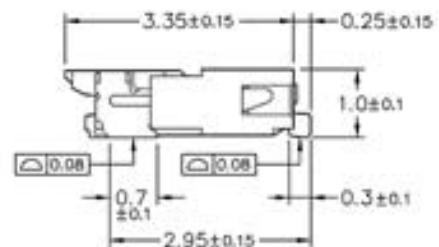
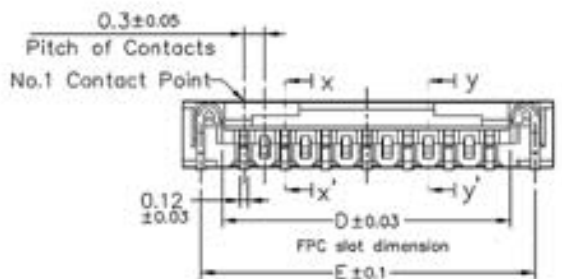
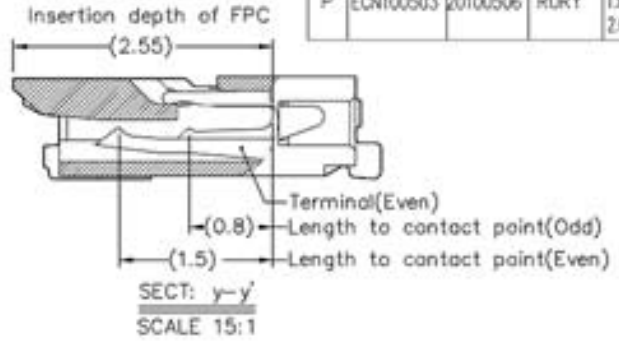
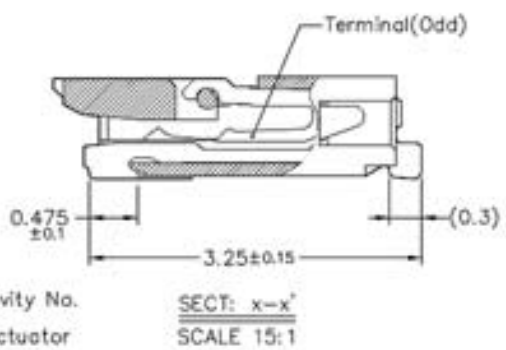
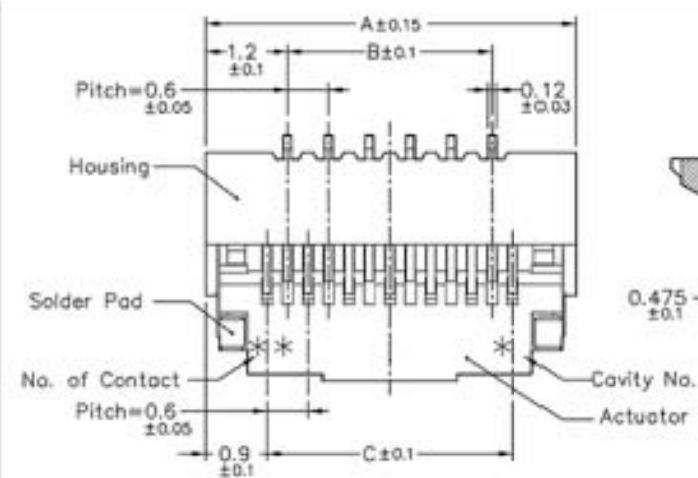


REV.	ECO NO.	DATE	SIGN	DESCRIPTION
N	100103	20100119	RORY	新製品作成 S
O	ECN100204	20100212	Lilian	SPRING EXPOSURE-SET-48C
P	ECN100503	20100506	RORY	1. Modify drawing 2. Create carton drawing.



No. of Contacts	Catalog No.	DIM. A	DIM. B	DIM. C	DIM. D	DIM. E
09	BL125- 09RL	4.2	1.8	2.4	3.03	3.7
11	BL125- 11RL	4.8	2.4	3.0	3.63	4.3
13	BL125- 13RL	5.4	3.0	3.6	4.23	4.9
15	BL125- 15RL	6.0	3.6	4.2	4.83	5.5
17	BL125- 17RL	6.6	4.2	4.8	5.43	6.1
19	BL125- 19RL	7.2	4.8	5.4	6.03	6.7
21	BL125- 21RL	7.8	5.4	6.0	6.63	7.3
23	BL125- 23RL	8.4	6.0	6.6	7.23	7.9
25	BL125- 25RL	9.0	6.6	7.2	7.83	8.5
27	BL125- 27RL	9.6	7.2	7.8	8.43	9.1
29	BL125- 29RL	10.2	7.8	8.4	9.03	9.7
31	BL125- 31RL	10.8	8.4	9.0	9.63	10.3
33	BL125- 33RL	11.4	9.0	9.6	10.23	10.9
35	BL125- 35RL	12.0	9.6	10.2	10.83	11.5
37	BL125- 37RL	12.6	10.2	10.8	11.43	12.1
39	BL125- 39RL	13.2	10.8	11.4	12.03	12.7
41	BL125- 41RL	13.8	11.4	12.0	12.63	13.3
43	BL125- 43RL	14.4	12.0	12.6	13.23	13.9
45	BL125- 45RL	15.0	12.6	13.2	13.83	14.5
49	BL125- 49RL	16.2	13.8	14.4	15.03	15.7
51	BL125- 51RL	16.8	14.4	15.0	15.63	16.3
57	BL125- 57RL	18.6	16.2	16.8	17.43	18.1
61	BL125- 61RL	19.8	17.4	18.0	18.63	19.3
67	BL125- 67RL	21.6	19.2	19.8	20.43	21.1
71	BL125- 71RL	22.8	20.4	21.0	21.63	22.3

NOTE:

- MATERIAL:
HOUSING: LCP(UL 94V-0)
ACTUATOR: LCP(UL 94V-0)
TERMINAL: PHOSPHOR BRONZE
STOPPER: PHOSPHOR BRONZE
- PLATING:
TERMINAL: SEE ORDERING INFORMATION
STOPPER: TIN OVER NICKEL(LEAD FREE)
- PART NO.:
BL125- xx RL -TA xx
SERIES PACKAGE
 TA-EMBOSSED TAPE
 RIGHT ANGLE(LOWER CONTACT TYPE)
 NO. OF CONTACTS

3G-3U" GOLD OVER NICKEL
GF-1U"~3U" GOLD OVER NICKEL

- RATING:
OPERATING VOLTAGE: 30V
CURRENT RATING: 0.2A
OPERATING TEMPERATURE: -55°C ~ +85°C

TOLERANCE UNLESS SPECIFIED	SHEET 1/5	DR. BY RORY	MATERIAL See Note 1.
LINEAR	SCALE 10/1	CHK. BY Robbie	FINISH See Note 2.
ANGLE	UNIT mm	APP. BY Robbie	PART NO. See Note 3.
XXXXX			

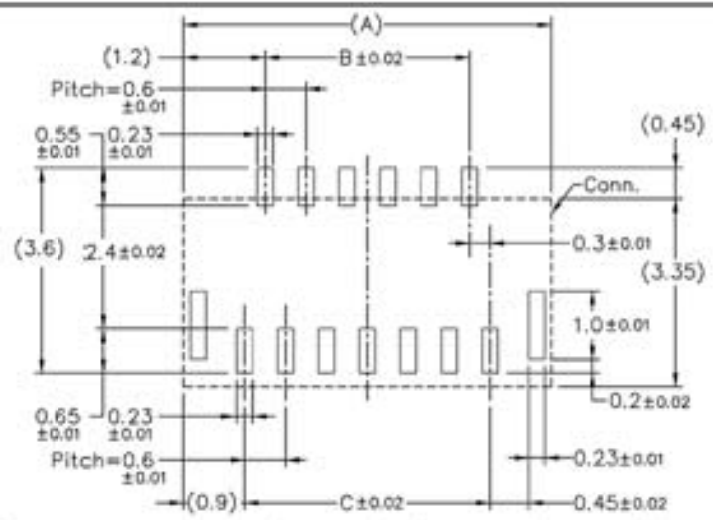


TITLE 0.3mm Pitch FPC Conn. E/O (H=1.0)
DWG NO. BL125-xxRL-TAxx

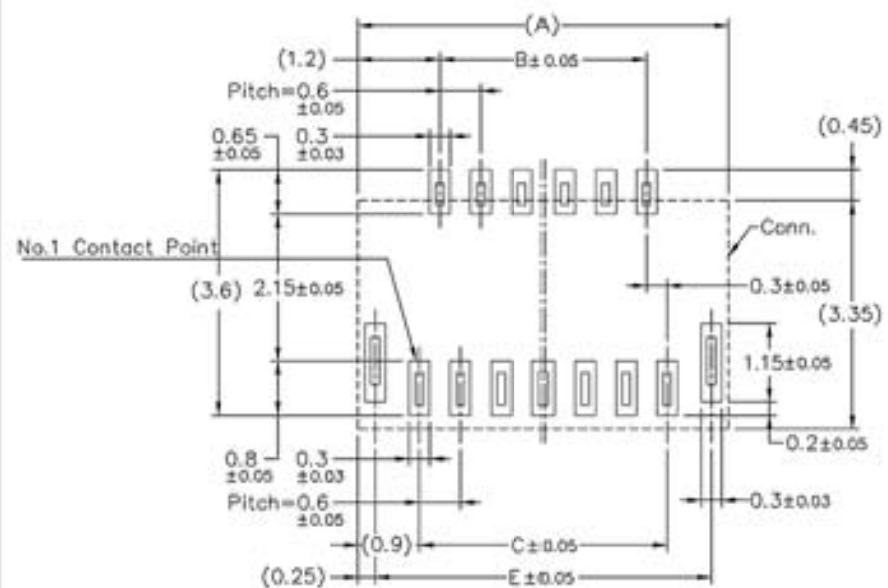
本品不含有環境管理物質規定之有害物質

[MANAGEMENT REGULATIONS FOR THE RESTRICTIVELY-USED SUBSTANCES INCLUDED IN PARTS AND DEVICES]

REV.	ECO. NO.	DATE	SIGN.	DESCRIPTION
N	100103	20100119	RORY	0.3mm Pitch FPC S
O	ECN100204	20100212	Lilian	SPRING EXPOSURE-SET-48C
P	ECN100503	20100506	RORY	1.Modify drawing. 2.Create carton drawing.



Recommended metal mask pattern



FPC/FFC INSERT DIRECTION
PCB Layout

No. of Contacts	Catalog No.	DIM. A	DIM. B	DIM. C	DIM. D	DIM. E
09	BL125-09RL	4.2	1.8	2.4	3.03	3.7
11	BL125-11RL	4.8	2.4	3.0	3.63	4.3
13	BL125-13RL	5.4	3.0	3.6	4.23	4.9
15	BL125-15RL	6.0	3.6	4.2	4.83	5.5
17	BL125-17RL	6.6	4.2	4.8	5.43	6.1
19	BL125-19RL	7.2	4.8	5.4	6.03	6.7
21	BL125-21RL	7.8	5.4	6.0	6.63	7.3
23	BL125-23RL	8.4	6.0	6.6	7.23	7.9
25	BL125-25RL	9.0	6.6	7.2	7.83	8.5
27	BL125-27RL	9.6	7.2	7.8	8.43	9.1
29	BL125-29RL	10.2	7.8	8.4	9.03	9.7
31	BL125-31RL	10.8	8.4	9.0	9.63	10.3
33	BL125-33RL	11.4	9.0	9.6	10.23	10.9
35	BL125-35RL	12.0	9.6	10.2	10.83	11.5
37	BL125-37RL	12.6	10.2	10.8	11.43	12.1
39	BL125-39RL	13.2	10.8	11.4	12.03	12.7
41	BL125-41RL	13.8	11.4	12.0	12.63	13.3
43	BL125-43RL	14.4	12.0	12.6	13.23	13.9
45	BL125-45RL	15.0	12.6	13.2	13.83	14.5
49	BL125-49RL	16.2	13.8	14.4	15.03	15.7
51	BL125-51RL	16.8	14.4	15.0	15.63	16.3
57	BL125-57RL	18.6	16.2	16.8	17.43	18.1
61	BL125-61RL	19.8	17.4	18.0	18.63	19.3
67	BL125-67RL	21.6	19.2	19.8	20.43	21.1
71	BL125-71RL	22.8	20.4	21.0	21.63	22.3

TOLERANCE UNLESS SPECIFIED		SHEET 2/5	DR. BY Rory	MATERIAL
LINEAR	ANGLE	SCALE 10/1	CHK. BY Robbie	FINISH
XX XX	X' XX	UNIT mm	APP. BY Robbie	PART NO.
XX XX	X' XX			
XXXXX	XX'XX			

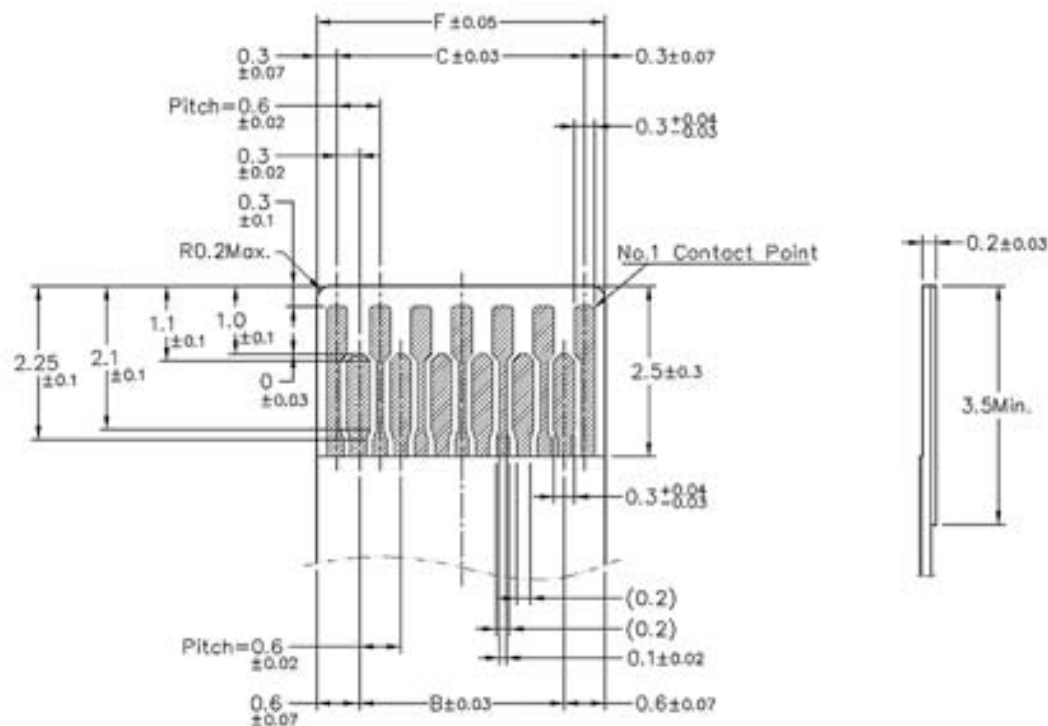


TITLE 0.3mm Pitch FPC Conn. E/O (H=1.0)
DWG NO:BL125-xxRL-TAxx

本品不含有環境管理物質規定之有害物質

[MANAGEMENT REGULATIONS FOR THE RESTRICTIVELY-USED SUBSTANCES INCLUDED IN PARTS AND DEVICES]

REV.	ECO. NO.	DATE	SIGN.	DESCRIPTION
N	100103	20100119	RORY	0.3mm Pitch FPC S
O	ECN100204	20100212	Lilian	SPRING EXPOSURE-TEST-48C
P	ECN100503	20100506	RORY	1.Modify drawing. 2.Create carton drawing.



No. of Contacts	Catalog No.	DIM. B	DIM. C	DIM. F
09	BL125- 09RL	1.8	2.4	3.0
11	BL125- 11RL	2.4	3.0	3.6
13	BL125- 13RL	3.0	3.6	4.2
15	BL125- 15RL	3.6	4.2	4.8
17	BL125- 17RL	4.2	4.8	5.4
19	BL125- 19RL	4.8	5.4	6.0
21	BL125- 21RL	5.4	6.0	6.6
23	BL125- 23RL	6.0	6.6	7.2
25	BL125- 25RL	6.6	7.2	7.8
27	BL125- 27RL	7.2	7.8	8.4
29	BL125- 29RL	7.8	8.4	9.0
31	BL125- 31RL	8.4	9.0	9.6
33	BL125- 33RL	9.0	9.6	10.2
35	BL125- 35RL	9.6	10.2	10.8
37	BL125- 37RL	10.2	10.8	11.4
39	BL125- 39RL	10.8	11.4	12.0
41	BL125- 41RL	11.4	12.0	12.6
43	BL125- 43RL	12.0	12.6	13.2
45	BL125- 45RL	12.6	13.2	13.8
49	BL125- 49RL	13.8	14.4	15.0
51	BL125- 51RL	14.4	15.0	15.6
57	BL125- 57RL	16.2	16.8	17.4
61	BL125- 61RL	17.4	18.0	18.6
67	BL125- 67RL	19.2	19.8	20.4
71	BL125- 71RL	20.4	21.0	21.6

Applicable FPC

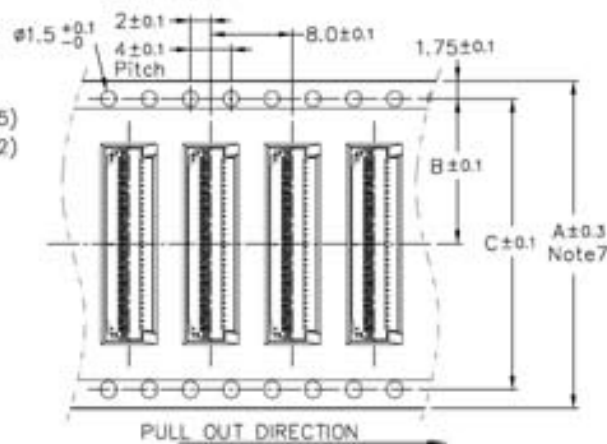
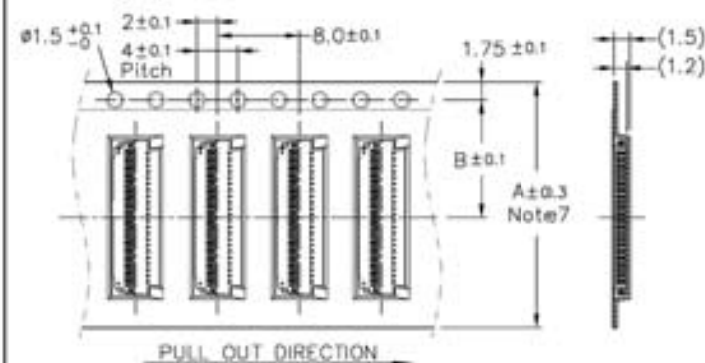
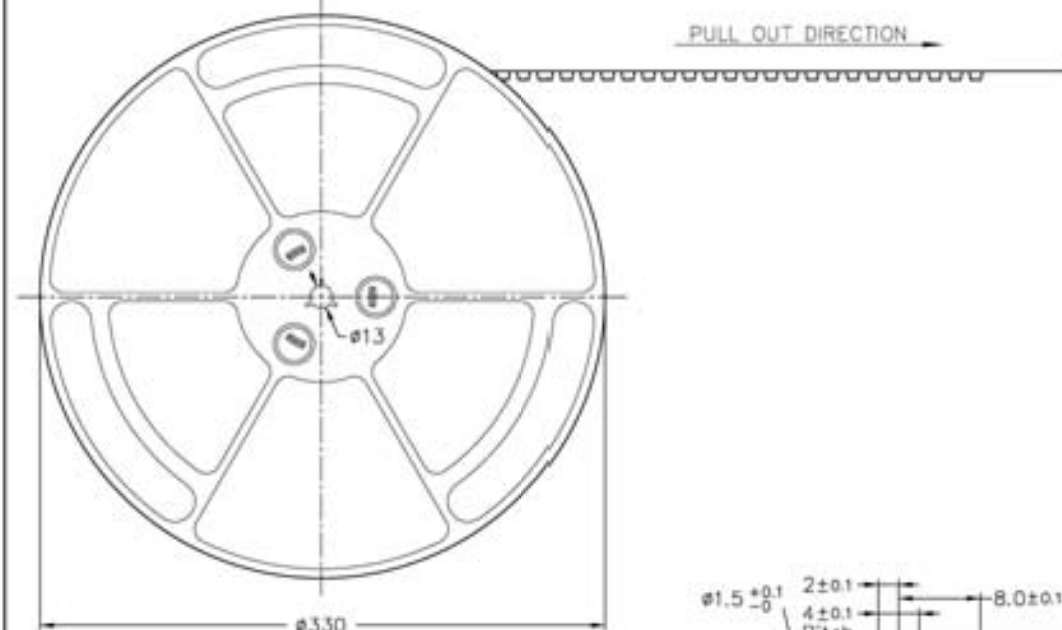
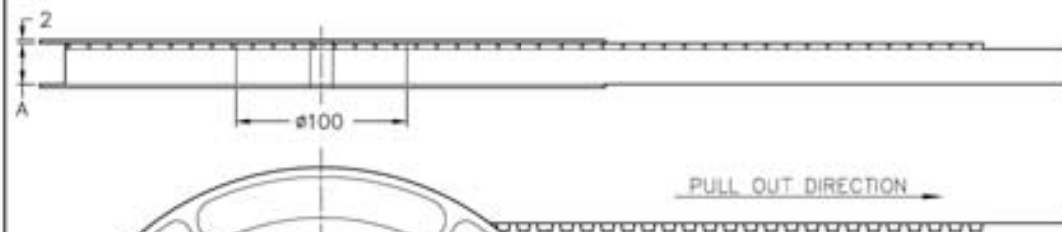
TOLERANCE UNLESS SPECIFIED		SHEET 3/5	DR. BY Rory	MATERIAL
LINEAR	ANGLE	SCALE 10/1	CHK. BY Robbie	FINISH
XX XX	X° XX	UNIT mm	APP. BY Robbie	PART NO.
XXXXX	XX° XX			



TITLE 0.3mm Pitch FPC Conn. E/O (H=1.0)
DWG NO. BL125-xxRL-TAxx

EMBOSSED TAPE PACKING BL125 SERIES RIGHT ANGLE TYPE

REV.	ECO. NO.	DATE	SIGN.	DESCRIPTION
N	100103	20100119	RORY	INITIAL DRAWING
O	ECN100204	20100212	Lilian	SPRING EXPOSURE-2C-48C
P	ECN100503	20100506	RORY	1.Modify drawing. 2.Delete certain drawing.



Note:

- 1.10 sprocket hole pitch cumulative tolerance 0.2.
- 2.Carrier camber is within 1 mm in 250mm.
- 3.Material : Black Conductive Polystyrene Alloy.
- 4.All dimensions meet EIA-481-C requirements.
- 5.Thickness : 0.3±0.05mm.
- 6.Component load per 13" reel : 5000pcs.
- 7.For tape width (dimension A) 16 and 24mm a pilot hole is provided on one side.
For tape width (dimension A) 32mm pilot holes are provided on both sides.

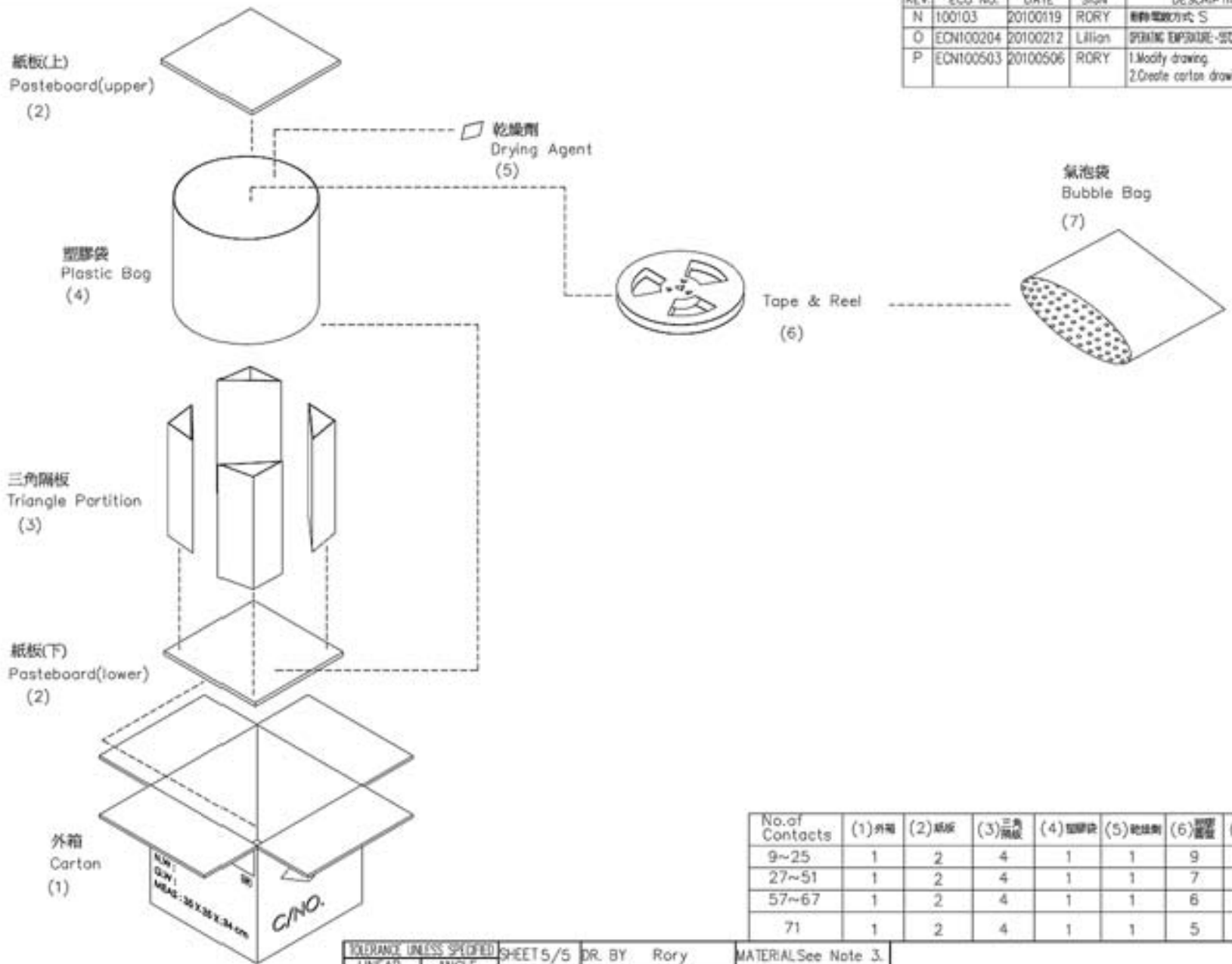
			Note 7		
No. of Contacts	Part Number		DIM. A	DIM. B	DIM. C
09	BL125-09RL-TAxx	↓	16	7.5	—
25	BL125-25RL-TAxx	↓			
27	BL125-27RL-TAxx	↓	24	11.5	—
51	BL125-51RL-TAxx	↓			
57	BL125-57RL-TAxx	↓	32	14.2	28.4
67	BL125-67RL-TAxx	↓			
71	BL125-71RL-TAxx		44	20.2	40.4

TOLERANCE UNLESS SPECIFIED		SHEET 4/5	DR. BY Rory	MATERIAL See Note 3.
LINEAR	ANGLE	SCALE	CHK. BY Robbie	FINISH
XX XX	X° XX		APP. BY Robbie	PART NO.
XX XX	X° XX	UNIT mm		
XXXXX	XX° XX			



TITLE 0.3mm Pitch FPC Conn. E/O (H=1.0)
DWG NO. BL125-xxRL-TAxx

REV.	ECO. NO.	DATE	SIGN	DESCRIPTION
N	100103	20100119	RORY	新增圖式 S
O	ECN100204	20100212	Lilian	PRINTING EXPLORE-25-48C
P	ECN100503	20100506	RORY	1.Modify drawing. 2.Create carton drawing.



No. of Contacts	(1)外箱	(2)紙板	(3)三角隔板	(4)塑膠袋	(5)乾燥劑	(6)膠帶	(7)氣泡袋
9~25	1	2	4	1	1	9	9
27~51	1	2	4	1	1	7	7
57~67	1	2	4	1	1	6	6
71	1	2	4	1	1	5	5

TOLERANCE UNLESS SPECIFIED		SHEET 5/5	DR. BY Rory	MATERIAL See Note 3.
LINEAR	ANGLE	SCALE	CHK. BY Robbie	FINISH
X XX	X' XX	UNIT mm	APP. BY Robbie	PART NO.
XX XX	X' XX			
XXXXX	XX' XX			

	TITLE 0.3mm Pitch FPC Conn. E/O (H=1.0)
	DWG NO. BL125-xxRL-TAxx

本產品不含有環境管理物質規定之有害物質

[MANAGEMENT REGULATIONS FOR THE RESTRICTIVELY-USED SUBSTANCES INCLUDED IN PARTS AND DEVICES]